

54-3500 Series

Regulators - Relief / Backpressure

D543510148XEN2

Specifications

For other materials or modifications, please consult TESCOM.

OPERATING PARAMETERS

Pressure rating per criteria of ANSI/ASME B31.3

Maximum Controllable Inlet Pressure

10,000 psig / 690 bar

Design Proof Pressure

150% maximum rated

Leakage

Internal & external: Bubble-tight

Operating Temperature

-15°F to 140°F / -26 °C to 60 °C

Flow Capacity

$C_v = 0.08$

MEDIA CONTACT MATERIALS

Body

316L Stainless Steel

Bonnet

300 Series Stainless Steel

Seat

CTFE, Vespel® SP-1, PEEK, 17-4 hardened Stainless Steel

Remaining Parts

300 Series Stainless Steel

Inlet & Outlet Port Type

NPTF and Medium Pressure

Inlet and Outlet Port Size

1/4", 3/8"

Weight

6 lbs / 2.7 kg

Teflon®, Kalrez®, Vespel® and Viton® are registered trademarks of E.I du Pont de Nemours and Company.



TESCOM 54-3500 two-stage hydraulic back pressure regulator reduces the controlled inlet pressure in 2 steps. The integrated second stage is self loading and adjusts itself to 50% of the inlet pressure, regardless if the unit is spring, air or dome loaded. This reduction of differential pressure per stage significantly reduces the destructive force of erosion and cavitation. A wide range of soft goods and valve trim materials, including ceramic option, allow for media specific regulator selection.

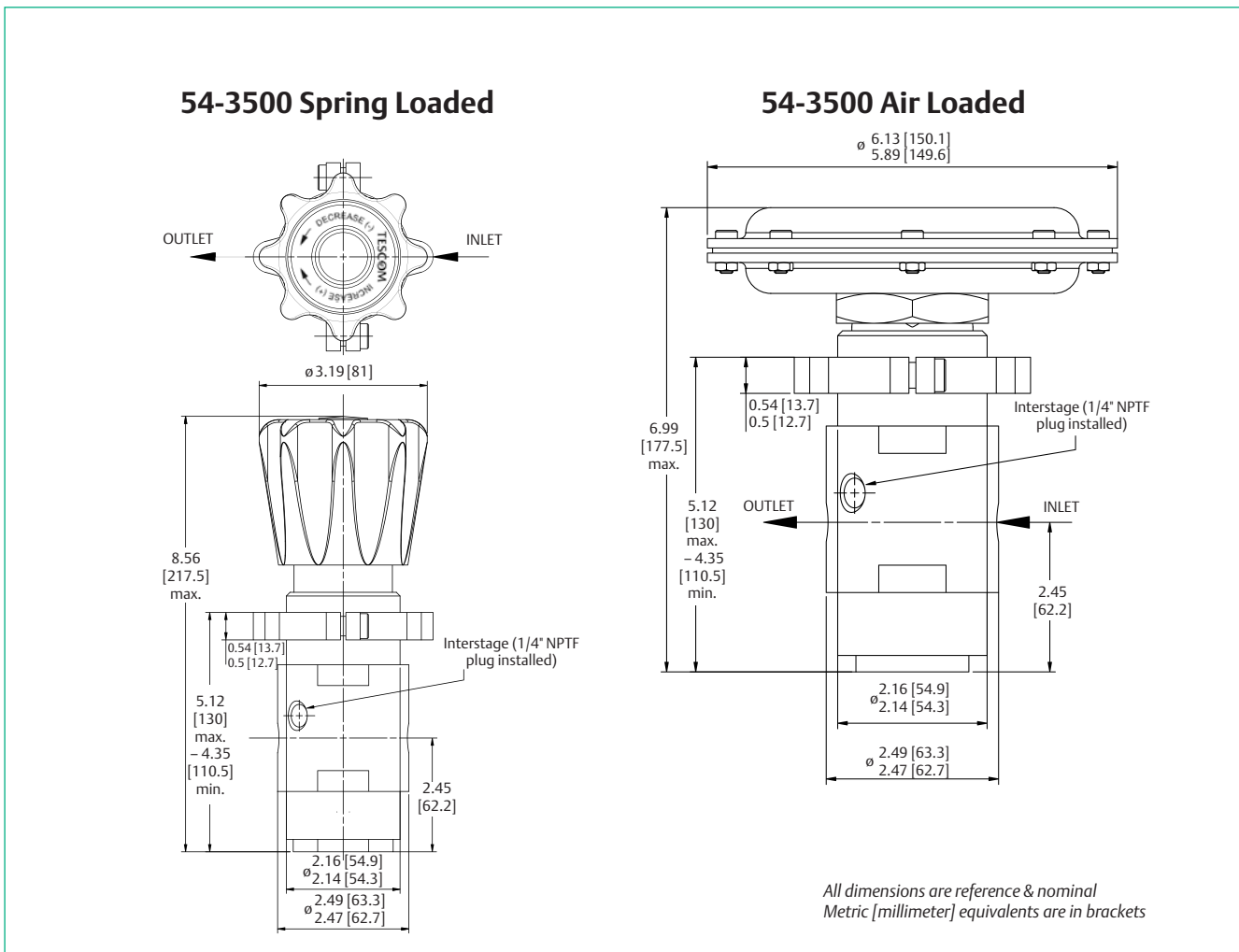
Applications

- High Pressure Hydraulic test benches
- Injection Valve Manufacturing & Testing
- Supercritical media applications
- Chemical injection

Features and Benefits

- Longer lifetime than single stage solutions by reduced erosion and cavitation
- Lower cost of ownership
- Proven Tescom valve trim modules with many options available

54-3500 Series Regulator Drawing



Repair Kits, Accessories & Modifications may be available for this product. Please contact TESCOM for more information.

Example for selecting a part number :

- A = Air Loaded
- D = Dome Loaded
- S = Spring Loaded

54-35 6 1 T 2 4 A 1 5 0

BASIC SERIES	MATERIAL	INLET PRESSURE	SOFT GOODS MATERIAL		INLET OUTLET PORT TYPE	INLET OUTLET PORT SIZE	FLOW CAPACITY	SEAT MATERIAL	GAUGE PORT OPTIONS	MOD
			O-RING	BACK-UP RING						
54-35	6 - Stainless Steel	1 - 200 - 10000 psig 14 - 690 bar 2 - 50 - 6000 psig 3.4 - 414 bar	B - BUNA-A T - Viton® U - Urethane V - Kalrez® Z - EP	Teflon® Teflon® Teflon® Teflon® Teflon®	2 - NPTF 6 - Medium Pressure	4 - 1/4" 6 - 3/8"	1 - Cv = 0.08	0 - CTFE 5 - 17-4 Stainless Steel 7 - Vespel® SP-1 8 - PEEK	0 - NONE ← ○ ←	001 - Ceramic Stem

WARNING! Do not attempt to select, install, use or maintain this product until you have read and fully understood the TESCOM Safety, Installation and Operation Precautions.

D543510148XEN2 © 2012 Emerson Process Management Regulator Technologies, Inc. All rights reserved. 11/2012. Tescom, Emerson Process Management, and the Emerson Process Management design are marks of one of the Emerson Process Management group of companies. All other marks are the property of their respective owners.