

HIGH-PRESSURE RELIEF VALVES

H900-HP SERIES



HIGH-PRESSURE RELIEF VALVES H900-HP SERIES

FEATURES

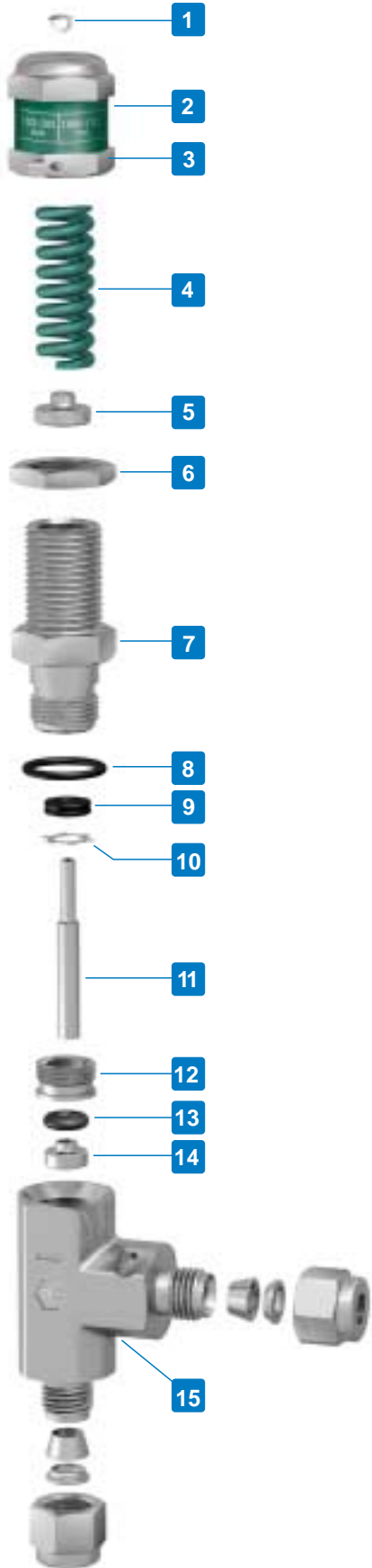
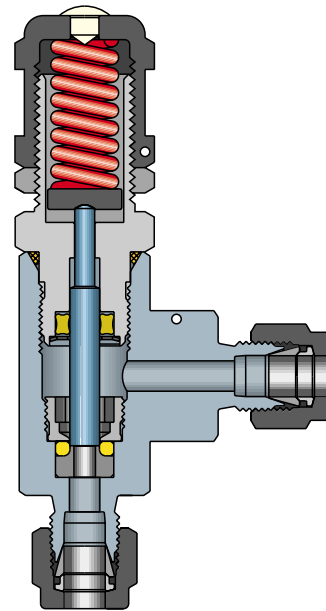
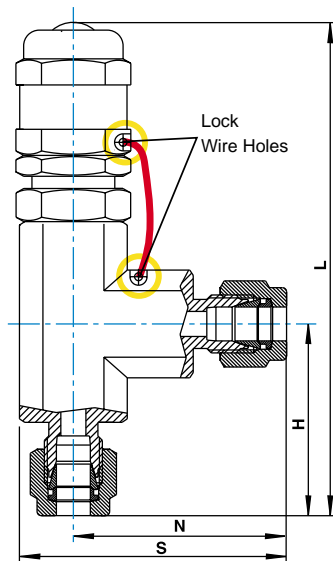
- 316St.St. Construction
- Service up to 6000 psi
- Set Pressure from 50 psig to 6000 psig (3.50 to 414 bar)
- Identifying colored springs for each pressure range
- Replaceable springs for a variable pressure range
- Available in all pipe threads and LET-LOK® connectors
- Sizes: 1/4" or 6mm

GENERAL

H900-HP is a series of relief valves for high-pressure service. The valve is normally closed. It will open when system pressure reaches the set level. It will re-close when the system pressure falls below the set level.

H900-HP - MATERIALS			
Item No.	Components	Qty.	Valve body material
1	Cap Plug	1	PTFE
2	Label	1	PVC
3	Adjustment Cap	1	St.St 316
4	Spring	1	St.St. 302,17-7PH
5	Lower Spring Button	1	St.St 316
6	Locking Nut	1	St.St 316
7	Bonnet	1	St.St 316
8	O-ring	1	Viton® (Fluorocarbon)
9	Quad Ring	1	Viton® (Fluorocarbon)
10	Retaining Ring	1	PH15-7Mo
11	Poppet	1	St.St 316
12	Clamps Screw	1	St.St 316
13	O-ring	1	Viton® (Fluorocarbon)
14	Insert	1	St.St 316
15	Body	1	St.St 316

DIMENSIONS						
Description	Connection / size		Dimensions mm:			
	inlet	outlet	H	N	S	L
H900-HP	1/4 LET-LOK®	1/4 LET-LOK®	37	39	50	105
H900-HP	6MM LET-LOK®	6MM LET-LOK®	37	39	50	105
H985-HP	1/4 Male NPT	1/4 Female NPT	32	30	40	100
H995-HP	1/4 Male NPT	1/4 LET-LOK®	32	39	50	100



HIGH-PRESSURE RELIEF VALVES H900-HP SERIES

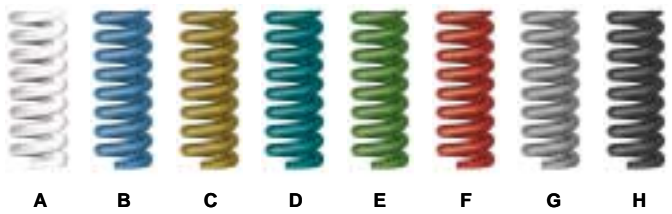
CLEANING AND PACKAGING

HAM-LET's H900 and H900-HP Relief Valves are treated with the HAM-LET Passivation Cleaning and Packaging (Procedure 8075). Oxygen Cleaning and Packaging (Procedure 8055) is available as an option.

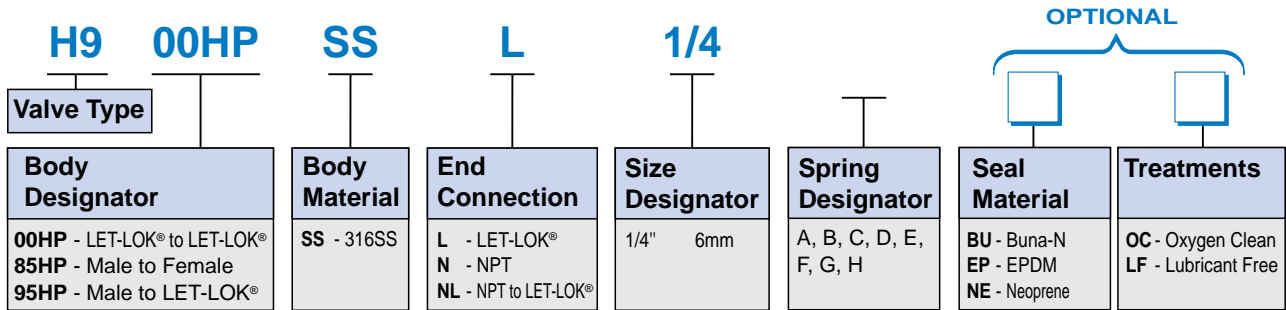
TESTING

The HAM-LET H900 and H900-HP Relief Valves designs have been tested for Proof and Burst. Every H900 and H900-HP Relief Valve is factory tested for proper set and resealing performance.

NOMINAL CRACKING - PRESSURE RANGE			
psig	Bars	Spring Designator	Color
50-350	3.4 - 24	A	White
350-750	24 - 51.5	B	Blue
750-1500	51.5 - 103	C	Gold
1500-2250	103 - 155	D	Turquoise
2250-3000	155 - 206	E	Green
3000-4000	206 - 275	F	Red
4000-5000	275 - 344	G	Silver
5000-6000	344 - 413	H	Black



ORDERING INFORMATION Your safety is important to us. Please ensure proper reference to our latest catalog.



H900-HP SPRING KITS
Included: spring (specific to desired set pressure range) Label and Lock Wire. Please add the correct Spring designator to your ordering description.

Examples: Z900 - HP - Spring Kit - A
Z900 - HP - Spring Kit - D

Warning

Select the right component for safety's sake: The total design of the system must be taken into consideration when selecting components in order to ensure that your HAM-LET products provide safe, trouble-free operation. It is the responsibility of the system designer and the user to consider the compatibility of the materials, of the components and system, the function of the component, appropriate ratings and to ensure proper installation, operation and maintenance. Improper selection or use of products can cause property damage or personal injury, in respect of which the system designer and/or the user shall be solely liable and responsible.