

METRIC



HIGH PRESSURE INSTRUMENTATION BALL VALVE

H24 SERIES



DEDICATED TO INNOVATION

HIGH PRESSURE INSTRUMENTATION BALL VALVE

H24

The H24 series of high-pressure valves is designed specifically for instrumentation applications in the Oil and Gas industries. H24 valves are safe to install and easy to operate and maintain. Manufactured from round bar, H24 valves are robust in design and rated to 6000 psi. H24 is another quality Habonim valve solution for the increasingly demanding needs of energy processing.

Technical Summary

| | |
|---------------------------|--|
| Size Range: | 1/2" - 1 1/2" |
| Body Material*: | Stainless Steel 316/316L |
| End Connections: | Screwed BSPP to DIN3852 (Standard) |
| Pressure Rating: | 6000 Psi (413 bar) |
| Temperature Range: | -28°C ÷ +260°C (-18°F ÷ +500°F) |
| Application: | Oil & Gas, Petrochemical, Refinery |
| Service: | Air, Natural gas, Sour gas |
| Operation: | Manual (Standard), Actuated (optional) |

*Other Materials available on request



Safety pin eliminates unintentional rotation of end connection

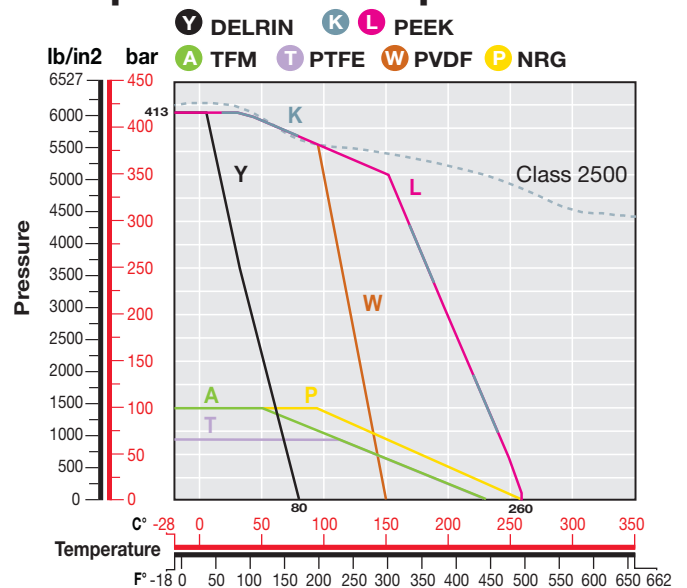


Spring loaded locking device available

Design features

- 2 piece design - minimum leak paths
- Robust high pressure design
- Blow-out proof stem
- Floating ball for positive shut-off
- Easy maintenance
- 17-4PH high tensile valve stem (standard)
- Spring loaded locking device (optional)
- NACE MR0175 compliant (optional)
- Panel mounting (optional)
- Actuation mounting (optional)

Temp / Pressure Graph

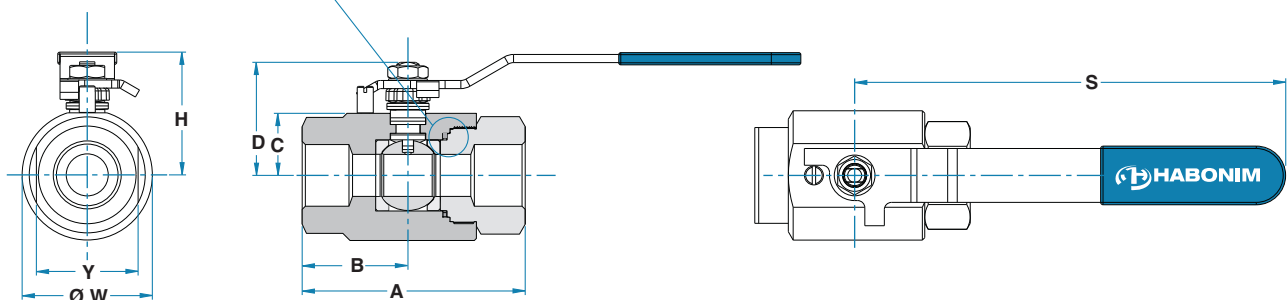
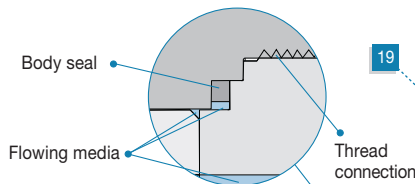


Standard Material of Construction

| Item | Description | Material Specifications | Qty. |
|------|------------------|--|------|
| 1* | Body | Stainless Steel ASTM A479 316/316L | 1 |
| 2* | End Connector | Stainless Steel ASTM A479 316/316L | 1 |
| 3* | Ball | Stainless steel ASTM A351 CF8M, 17-4PH | 1 |
| 4* | Stem | 17-4PH | 1 |
| 5 | Seat | DELTRIN®, Carbon filled PEEK®, Virgin PEEK® PTFE, NRG, TFM™, PVDF | 2 |
| 6 | Body Seal | NBR, Viton®, EPDM, PTFE, Graphite | 1 |
| 7 | Stem thrust ring | DELTRIN, Carbon filled PEEK®, Virgin PEEK® | 1 |
| 8 | Stop Pin | Stainless steel ASTM A582 303 | 1 |
| 9 | Stem packing | NRG | 2 |
| 10 | Follower | Stainless steel ASTM B783 316L | 1 |
| 11 | Disc spring | Stainless steel ASTM A693 17-7PH | 2 |
| 12 | Stem nut | Stainless steel ASTM A194 316 | 1 |
| 13 | Locking clip | Stainless steel ASTM A164 304 | 1 |
| 14 | Handle | Stainless steel ASTM A240 430 | 1 |
| 15 | Serrated washer | Stainless steel AISI 410 | 1 |
| 16 | Handle nut | Stainless steel ASTM A194 316 | 1 |
| 17 | Sleeve | Vinil Plastizol | 1 |
| 18 | Tag (not shown) | Stainless steel ASTM A167 304 | 1 |
| 19 | Safety pin | Stainless steel Dowel pin BN855 | 1 |

*Other Materials available on request

Inner body seal keeps the thread connection dry and insulated from the media. This advantage results in long-lasting service and easy maintenance.

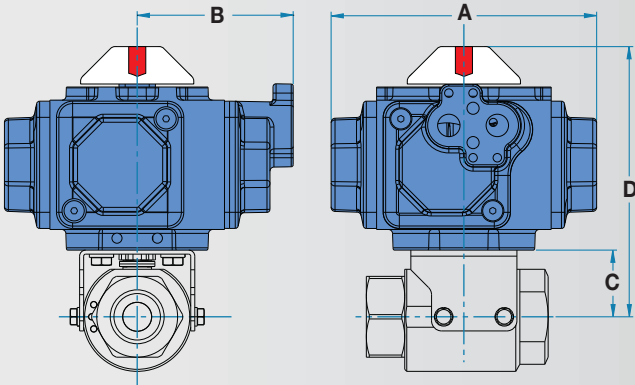


| Size | Unit | Bore | A | B | C | D | H | Ø W | S | Y | Weight kg./lb | Kv / Cv |
|------|------|-------|-------|------|------|------|------|------|------|------|---------------|---------|
| ½" | mm | 11.15 | 88.3 | 40 | 20.5 | 37.9 | 42.1 | 44 | 179 | 30 | 0.8 | 6.9 |
| | inch | 0.44 | 3.48 | 1.57 | 0.81 | 1.49 | 1.66 | 1.73 | 7.05 | 1.18 | 1.76 | 8 |
| ¾" | mm | 14.3 | 90 | 42 | 23.5 | 40.3 | 45 | 54 | 179 | 40 | 1.27 | 10.4 |
| | inch | 0.56 | 3.54 | 1.65 | 0.93 | 1.59 | 1.77 | 2.13 | 7.05 | 1.57 | 2.8 | 12 |
| 1" | mm | 20.6 | 109.6 | 52 | 30.5 | 55.6 | 60.3 | 64 | 193 | 50 | 2.1 | 28.1 |
| | inch | 0.81 | 4.31 | 2.05 | 1.2 | 2.19 | 2.37 | 2.52 | 7.6 | 1.97 | 4.63 | 32 |
| 1¼" | mm | 25.4 | 117 | 55 | 35.5 | 60.2 | 68.7 | 74 | 193 | 60 | 2.9 | 49.3 |
| | inch | 1.00 | 4.65 | 2.17 | 1.39 | 2.37 | 2.70 | 2.91 | 7.60 | 2.36 | 6.39 | 57 |
| 1½" | mm | 31.8 | 135 | 63 | 42.5 | 73.0 | 81.1 | 89 | 287 | 70 | 4.8 | 69.2 |
| | inch | 1.50 | 5.31 | 2.48 | 1.67 | 2.87 | 3.19 | 3.50 | 11.3 | 2.76 | 10.58 | 80 |

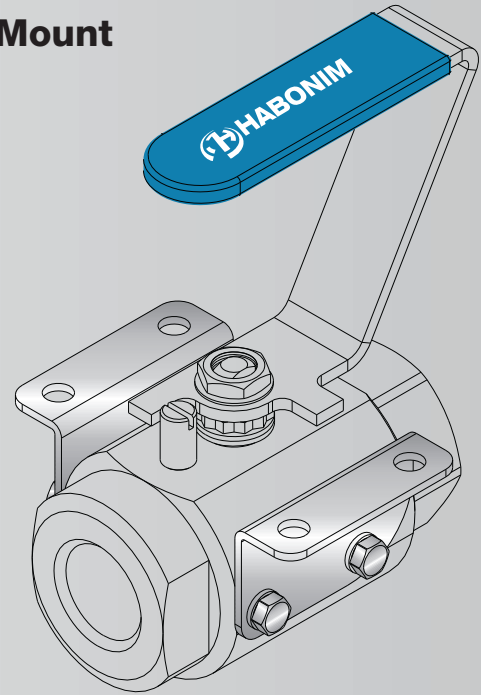
HIGH PRESSURE INSTRUMENTATION BALL VALVE

H24 Series

Actuation



Panel Mount



| Valve Size | Actuator Size | Unit | A S/R | A D/A | B | C | D |
|------------|---------------|------|-------|-------|------|------|------|
| 1/2" | C20 | mm | 131 | 102 | 77 | 29 | 130 |
| | | inch | 5.16 | 4.02 | 3.03 | 1.14 | 5.11 |
| 3/4" | C20 | mm | 131 | 102 | 77 | 33 | 134 |
| | | inch | 5.16 | 4.02 | 3.03 | 1.29 | 5.27 |
| 1" | C25 | mm | 161 | 132 | 90 | 48 | 165 |
| | | inch | 6.34 | 5.2 | 3.54 | 1.88 | 6.49 |
| 1 1/4" | C25 | mm | 161 | 132 | 90 | 55 | 172 |
| | | inch | 6.34 | 5.2 | 3.54 | 2.17 | 6.77 |
| 1 1/2" | C30 | mm | 186 | 151 | 105 | 65 | 201 |
| | | inch | 7.33 | 5.94 | 4.15 | 2.56 | 7.91 |

Actuation and Panel Mount valve configuration must be specified when ordering.

How to order The HABONIM H24 Valve Identification Code

| | | | | | | | | | | | | | | | | | | | | | | | | | |
|------|---|---------|---|--------|---|---|---|--------------------------|----|-------------|----|-------------|----|----|----------|----|----|----|----|----|---------------------|----|----|-----|----|
| 1 | 2 | 3 | 4 | 5 | 6 | 7 | 8 | 9 | 10 | 11 | 12 | 13 | 14 | 15 | 16 | 17 | 18 | 19 | 20 | 21 | 22 | 23 | 24 | ... | 30 |
| 0 | 5 | | | H | 2 | 4 | - | 6 | 6 | M | M | W | B | / | D | I | N | 3 | 8 | 5 | 2 | - | | | |
| Size | | Service | | Series | | | | Body / End / Ball / Stem | | Ball / Stem | | Seat / Seal | | | End Type | | | | | | Special Application | | | | |

| Size | | | Series | Body / End / Ball / Stem | | | | Seat | | | | Seal | | End Connection | |
|------|--------|----|--------|--------------------------|--------|-----|---|----------------------|---|------------|--|----------------|--|----------------|--|
| Code | inch | mm | | 6 | S.S. | 316 | Y | Acetal Resin Delrin® | V | Viton® | DIN3852 | DIN3852 | | | |
| 05 | 1/2" | 15 | H24 | M | 17-4PH | | K | Carbon Filled PEEK® | B | NBR (Sh90) | DIN | BSPP (DIN2999) | | | |
| 07 | 3/4" | 20 | | | | | L | Virgin PEEK® | E | EPDM | NPT | B1.20.1 | | | |
| 10 | 1" | 25 | | | | | T | PTFE | T | PTFE | Other special materials and type of ends are available on request. | | | | |
| 12 | 1 1/4" | 32 | | | | | P | NRG | G | Graphite | | | | | |
| 15 | 1 1/2" | 40 | | | | | A | TFM™ | | | | | | | |
| | | | | | | | W | PVDF | | | | | | | |

Standards of Compliance

| | |
|---------------------------|---|
| Design: | The pressure temperature rating is taken from ANSI B16.34 for standard class valve and is based on ANSI B16.34 class 2500. Body wall thickness is based on allowable stresses in ANSI B31 and appropriate formulas, not the values given in ANSI B16.34, Table 3 |
| Threaded End connections: | BSPP DIN 3852, BSPP DIN2999, NPT ANSI B1.20.1 |
| Pressure Testing: | API598, ISO 5208, BS EN 1226 Pt.1&2 |
| NACE: (optional) | MR-0175 |
| Quality Assurance: | ISO 9001-2008 |

DELTRIN® is a registered trademark of DuPont, PEEK® is a trademark of VICTREX, TFM™ is a trademark of Dyneon

In accordance with our policy to strive for continuous improvement of the product, we reserve the right to alter the dimensions, technical data and information included in this catalogue when required.

Copyright © 2012 HABONIM Ltd. All rights reserved

| Special Application | |
|---------------------|--------------------------------|
| NACE | NACE MR0175 compliance |
| LD | Locking device |
| P250 | Ball with pressure relief hole |
| ACT | Ready for Actuation |
| PM | Panel mounted |



HABONIM
Industrial Valves & Actuators
www.habonim.com

ISRAEL
Habonim Headquarter
Tel: +972-4-6914911 / 6914907
Fax: +972-4-6914935
international@habonim.com

U.K.
Habonim UK
Tel: +44-1633-484554
Fax: +44-1633-482252
sales_uk@habonim.com

USA
Toll Free Phone: 1-866-261-8400
Toll Free Fax: 1-866-243-9959
sales_usa@habonim.com

China
Habonim China
Tel: + 86 21 64453190 *146
Fax: + 86 21 64453191
sales_china@habonim.com.cn